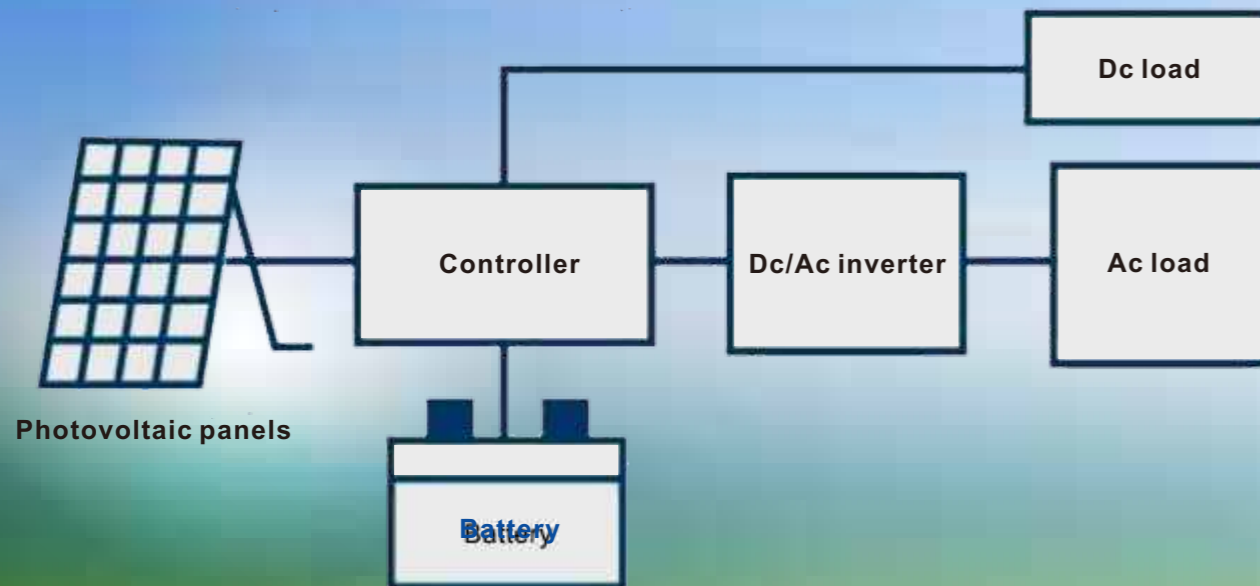


# SPECIFICATION

Model	RTB4.5AH	RTB7AH	RTB12AH	RTB18AH	RTB26AH	RTB40AH	RTB70AH	RTB100AH	RTB150AH	RTB200AH
Nominal Voltage	6V		12V							
Number of cell	3		6							
Design Life	7Years									
Nominal Capacity 77°F(25°C)										
20 hour rate(0.9A,10.5V)	4.50AH	7AH	12AH	18AH	26AH	40AH	70AH	100AH	150AH	200AH
10 hour rate(1.67A,10.5V)	4.20AH	6.5AH	10.5AH	16.7AH	24.3AH	37.2AH	69.7AH	92.7AH	139AH	186AH
5 hour rate(3.06A,10.5V)	3.85AH	5.95AH	9.2AH	15.3AH	20.4AH	34.1AH	63.9AH	86.0AH	129AH	172AH
1 hour rate(11.6A,9.6V)	2.70AH	4.55AH	7.6AH	11.6AH	15.6AH	26AH	48.7AH	65.0AH	97.5AH	130AH
Fully Charged Battery	25mΩ	40mΩ	16.5mΩ	15mΩ	13mΩ	6mΩ	5mΩ	5mΩ	3mΩ	3mΩ
Self-Discharge	3% of capacity declined per month at 20°C(average)									
Operation Temperature Range										
Discharge	-20~60°C									
Charge	-10~60°C									
Storage	-20~60°C									
Max.Discharge Current 77°F	45A	70A	120A	180A	260A	400A	700A	1000A	1500A	2000A
Short Circuit Current	270A	420A	635A	1080A	1440A	1200A	1125A	1500A	2250A	3000A

## Small independent photovoltaic power generation system



## Solar Battery Sealed Maintenance Free

### Features

- ▷ Non-Spillable Sealed Construction
- ▷ Absorptive Glass Mat System(AGM System)
- ▷ ABS(Acrylonitrile Butadiene Styrene)container and cover
- ▷ Gas Recombination
- ▷ Maintenance-Free Operation
- ▷ Excellent recovery from deep discharge
- ▷ Wide Operating Temperature Range
- ▷ High Recovery Capability

### APPLICATION

- ▷ Solar Application
- ▷ Uninterruptible Power Supply(UPS)
- ▷ Electric Power Supply(EPS)
- ▷ Emergency Backup Power Supply
- ▷ Emergency Light
- ▷ Railway Signal
- ▷ Aircraft Signal
- ▷ Alarm and Security System
- ▷ Telecommunication system
- ▷ Communication Power Supply
- ▷ DC Power Supply
- ▷ Auto Control System
- ▷ Medical equipment



### Headquarters - China

A:No.2 Jinxi Industry Park, Zhulin Town, Jintan District, Changzhou City, Jiangsu Province China, 213241

T:+86 519-82983001 F:+86 519-82983000

W:www.restarsolar.com

E:info@restarsolar.com

### Dubai office

A:Shop No.8,Al Waswasi Building,Nakheel Road, Satellite Market,P.O.BOX-39158,Deira Dubai-U.A.E.

T:+971 04 264 33 39

E:sales.mi@restarsolar.com